



# LL431

## LINEAR INTEGRATED CIRCUIT

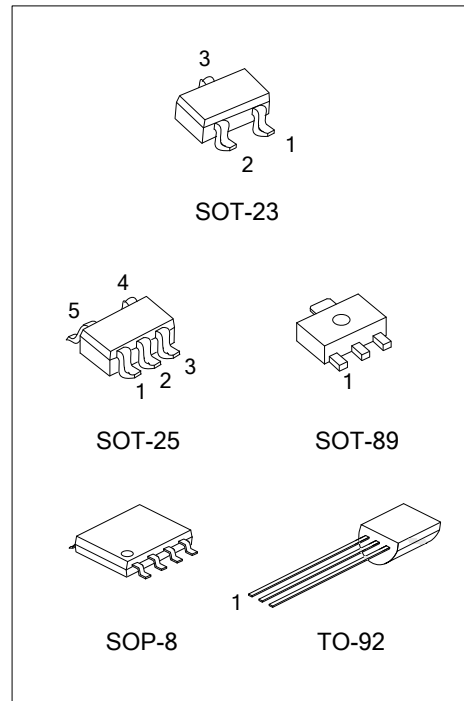
### PROGRAMMABLE PRECISION REFERENCE

■ DESCRIPTION

The UTC **LL431** is a three-terminal adjustable regulator with a guaranteed thermal stability over applicable temperature ranges. The output voltage may be set to any value between  $V_{REF}$  (approximately 2.5V) and 36 V with two external resistors. It can be used in provides very wide applications including shunt regulator, series regulator, switching regulator, voltage reference and others.

■ FEATURES

- \*Programmable output Voltage to 36V.
- \*Low dynamic output impedance 0.2Ω.
- \*Sink current capability of 1.0 to 100mA.
- \*Equivalent full-range temperature coefficient of 50ppm/ °C typical for operation over full rated operating temperature range.



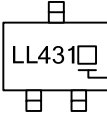
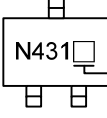
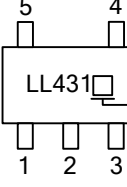
■ ORDERING INFORMATION

Ordering Number		Package	Pin Assignment								Packing
Lead Free	Halogen Free		1	2	3	4	5	6	7	8	
LL431K-AB3-R	LL431G-AB3-R	SOT-89	R	A	K	-	-	-	-	-	Tape Reel
LL431K-AE3-R	LL431G-AE3-R	SOT-23	K	R	A	-	-	-	-	-	Tape Reel
LL431NSL-AE3-R	LL431NSG-AE3-R	SOT-23	R	K	A	-	-	-	-	-	Tape Reel
LL431K-AF5-R	LL431G-AF5-R	SOT-25	X	X	K	R	A	-	-	-	Tape Reel
LL431K-S08-R	LL431G-S08-R	SOP-8	K	A	A	X	X	A	A	R	Tape Reel
LL431K-T92-B	LL431G-T92-B	TO-92	R	A	K	-	-	-	-	-	Tape Box
LL431K-T92-K	LL431G-T92-K	TO-92	R	A	K	-	-	-	-	-	Bulk
LL431K-T92-R	LL431G-T92-R	TO-92	R	A	K	-	-	-	-	-	Tape Reel

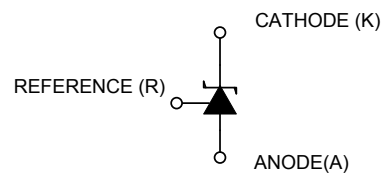
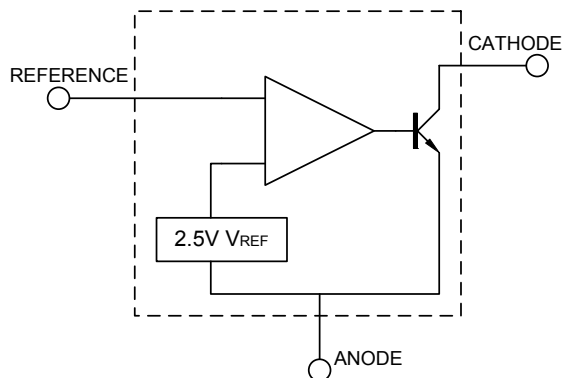
Note: Pin Code: K: Cathode A: Anode R: Reference X: No Connection

<p>LL431K-AB3-R</p> <p>(1)Packing Type</p> <p>(2)Package Type</p> <p>(3)Lead Free</p>	<p>(1) B: Tape Box, K: Bulk, R: Tape Reel</p> <p>(2) AB3: SOT-89, AE3: SOT-23, AF5: SOT-25, S08:SOP-8, T92: TO-92</p> <p>(3) G: Halogen Free, K: Lead Free</p> <p>G: Halogen Free, L: Lead Free Only for TL431NS Type</p>
---	---

### MARKING

PACKAGE	MARKING
SOT-23	 <p>LL431 → G: Halogen Free K: Lead Free</p>
SOT-23 (LL431NS)	 <p>N431 → G: Halogen Free K: Lead Free</p>
SOT-25	 <p>LL431 → G: Halogen Free K: Lead Free</p>

### BLOCK DIAGRAM



■ ABSOLUTE MAXIMUM RATINGS (Operating temperature range applies unless otherwise specified)

PARAMETER	SYMBOL	RATINGS	UNIT
Cathode Voltage	$V_{KA}$	37	V
Cathode Current Range(Continuous)	$I_{KA}$	-100 ~ +150	mA
Reference Input Current	$I_{REF}$	-0.05 ~ +10	mA
Power Dissipation	SOT-89	500	mW
	SOT-23/ SOT-25	300	mW
	SOP-8	600	mW
	TO-92	770	mW
Junction Temperature	$T_J$	+150	°C
Operating Temperature	$T_{OPR}$	-40 ~ +85	°C
Storage Temperature	$T_{STG}$	-65 ~ +150	°C

Note: Absolute maximum ratings are those values beyond which the device could be permanently damaged.

Absolute maximum ratings are stress ratings only and functional device operation is not implied.

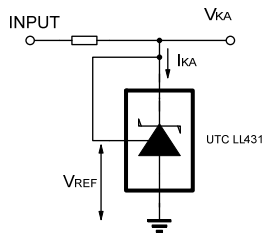
■ RECOMMENDED OPERATING CONDITIONS

PARAMETER	SYMBOL	RATINGS	UNIT
Cathode Voltage	$V_{KA}$	$V_{REF} \sim 36$	V
Cathode Current	$I_{KA}$	1 ~ 100	mA

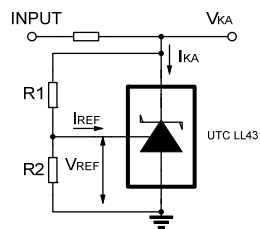
■ ELECTRICAL CHARACTERISTICS ( $T_C = 25^\circ\text{C}$ , unless otherwise specified.)

PARAMETER	SYMBOL	TEST CONDITIONS	MIN	TYP	MAX	UNIT	
Reference Input Voltage	$V_{REF}$	$V_{KA}=V_{REF}, I_{KA}=10\text{mA}$	$\pm 0.5\%$	2.483	2.495	2.507	V
Deviation of reference Input Voltage Over temperature	$\Delta V_{REF}/\Delta T$	$V_{KA}=V_{REF}, I_{KA}=10\text{mA}$ $0^\circ\text{C} \leq T_A \leq 70^\circ\text{C}$		4.5	17		mV
Ratio of Change in Reference Input Voltage to the Change in Cathode Voltage	$\Delta V_{REF}/\Delta V_{KA}$	$I_{KA}=10\text{mA}$ $\Delta V_{KA}=10\text{V} \sim V_{REF}$ $\Delta V_{KA}=36\text{V} \sim 10\text{V}$		-1.0	-2.7		mV/V
Reference Input Current	$I_{REF}$	$I_{KA}=10\text{mA}, R1=10\text{k}\Omega, R2=\infty$		1.5	4		$\mu\text{A}$
Deviation of Reference Input Current Over Full Temperature Range	$\Delta I_{REF}/\Delta T$	$I_{KA}=10\text{mA}, R1=10\text{k}\Omega, R2=\infty$ $T_A = \text{full Temperature}$		0.4	1.2		$\mu\text{A}$
Minimum Cathode Current for Regulation	$I_{KA(MIN)}$	$V_{KA}=V_{REF}$			0.15		mA
Off-State Cathode Current	$I_{KA(OFF)}$	$V_{KA}=36\text{V}, V_{REF}=0$		0.05	1.0		$\mu\text{A}$
Dynamic Impedance	$Z_{KA}$	$V_{KA}=V_{REF}, I_{KA}=1 \text{ to } 100\text{mA}$ $f \leq 1.0\text{kHz}$		0.15	0.5		$\Omega$

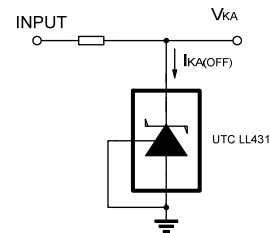
## ■ TEST CIRCUIT



For  $V_{KA} = V_{REF}$

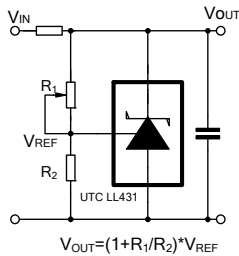


$V_{KA} = V_{REF}(1 + R_1/R_2) + I_{REF}R_1$   
For  $V_{KA} \approx V_{REF}$

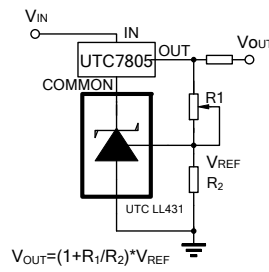


For  $I_{KA(OFF)}$

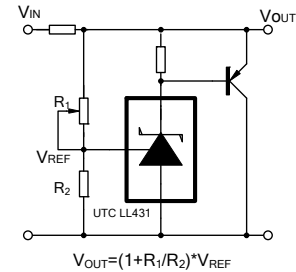
## ■ APPLICATION CIRCUIT



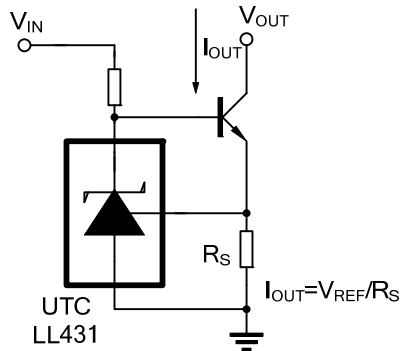
Shutdown Regulator



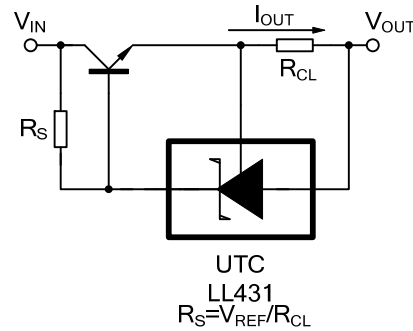
Output Control of a Three-Terminal Fixed Regulator



Higher-current Shunt Regulator

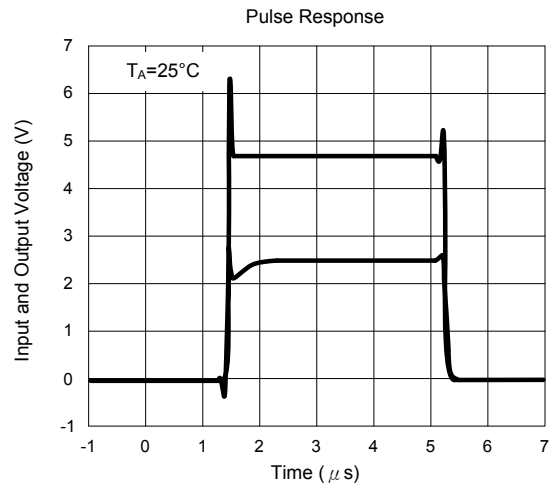
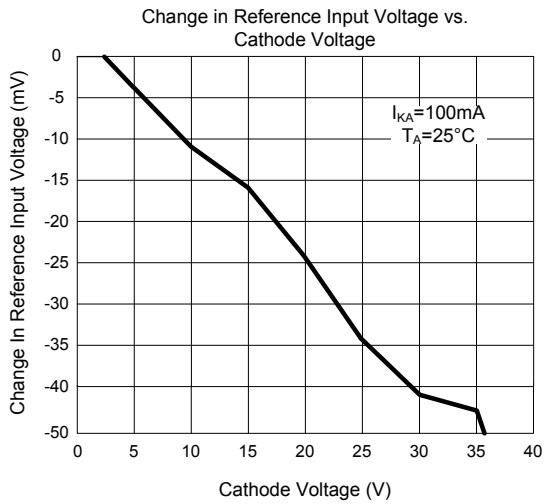
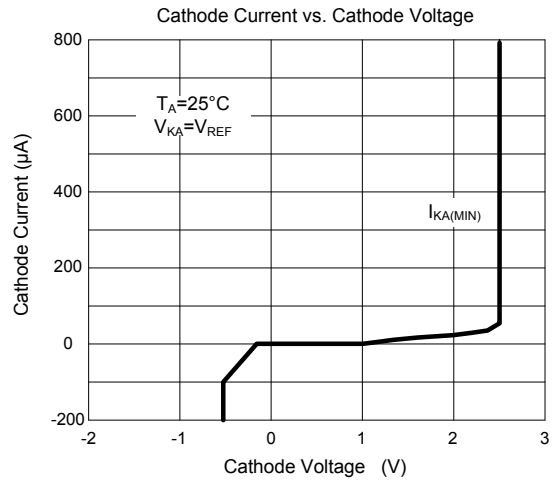
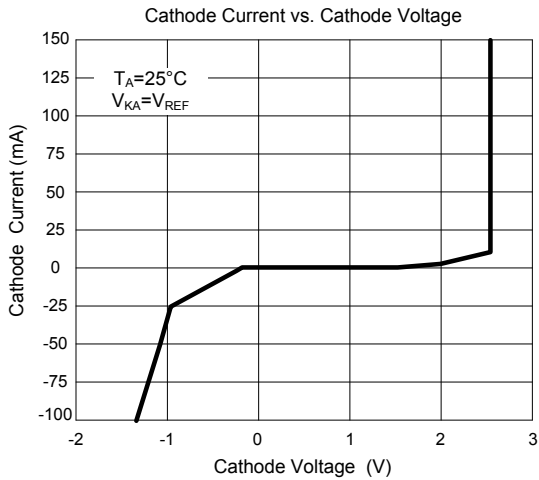


Constant-current Sink



Current Limiting or Current Source

### ■ TYPICAL CHARACTERISTICS



UTC assumes no responsibility for equipment failures that result from using products at values that exceed, even momentarily, rated values (such as maximum ratings, operating condition ranges, or other parameters) listed in products specifications of any and all UTC products described or contained herein. UTC products are not designed for use in life support appliances, devices or systems where malfunction of these products can be reasonably expected to result in personal injury. Reproduction in whole or in part is prohibited without the prior written consent of the copyright owner. The information presented in this document does not form part of any quotation or contract, is believed to be accurate and reliable and may be changed without notice.